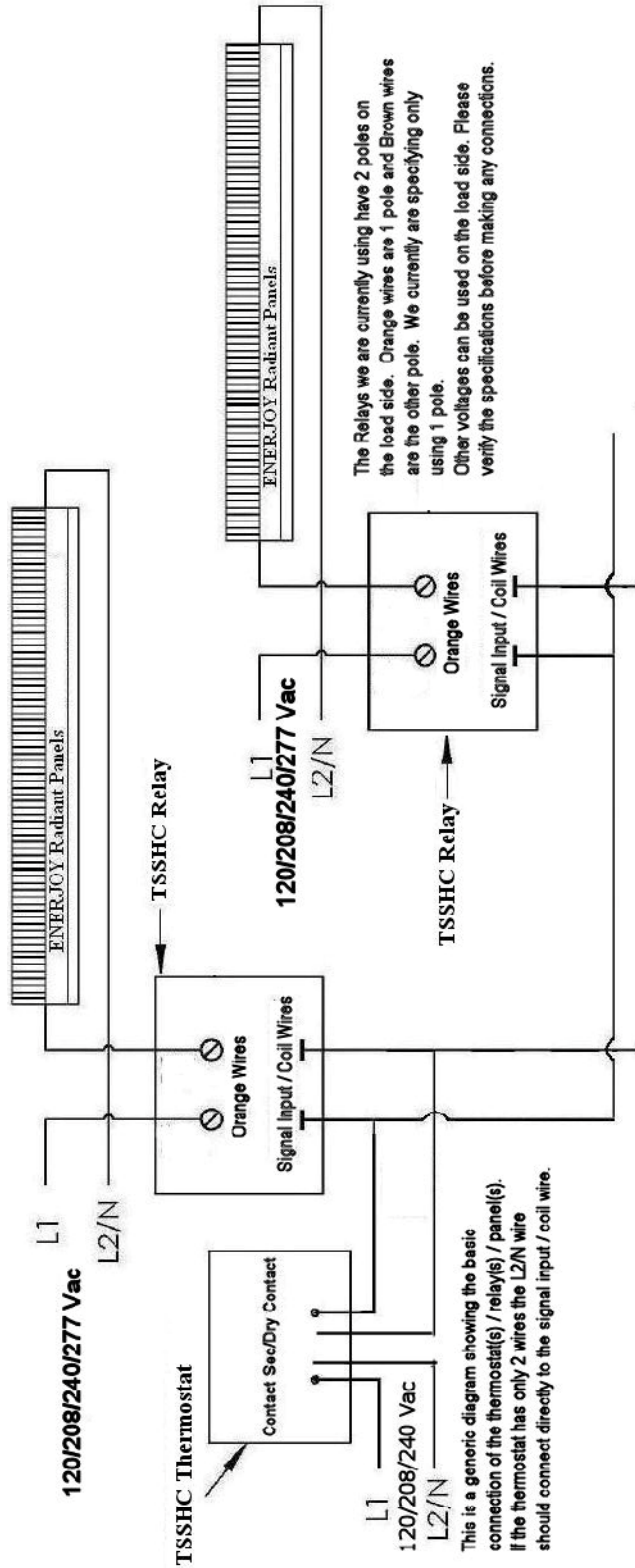




ENERJOY RADIANT PEOPLEHEATER®

Wiring Diagram for 120/208/240/277 Volt primary using a 120/208/240 Volt Thermostat with no Transformer

MAXIMUM COMFORT AND CONTROL IN HEATING



The Relays we are currently using have 2 poles on the load side. Orange wires are 1 pole and Brown wires are the other pole. We currently are specifying only using 1 pole. Other voltages can be used on the load side. Please verify the specifications before making any connections.

This is a generic diagram showing the basic connection of the thermostat(s) / relay(s) / panel(s). If the thermostat has only 2 wires the L2/N wire should connect directly to the signal input / coil wire.